

Model 551 Hypodermic Needle Probe



- Conversion chart supplied with each probe to allow use with 400 series compatible monitors
- Glass encapsulated bead thermistor sensor
- Extremely fast time response
- High sensitivity to temperature change
- ¼" phone plug connector
- #20 hypodermic needle
- 0.9 mm (0.035") Stainless steel needle diameter
- CE Marked for global sales, but not for medical patient use

DESCRIPTION

400-series compatible (with use of conversion chart) hypodermic temperature probe

FEATURES

- Conversion chart supplied with each probe to allow use with 400 series compatible monitors
- Standard ¼" phone plug connector
- #20 stainless steel hypodermic tube

APPLICATIONS

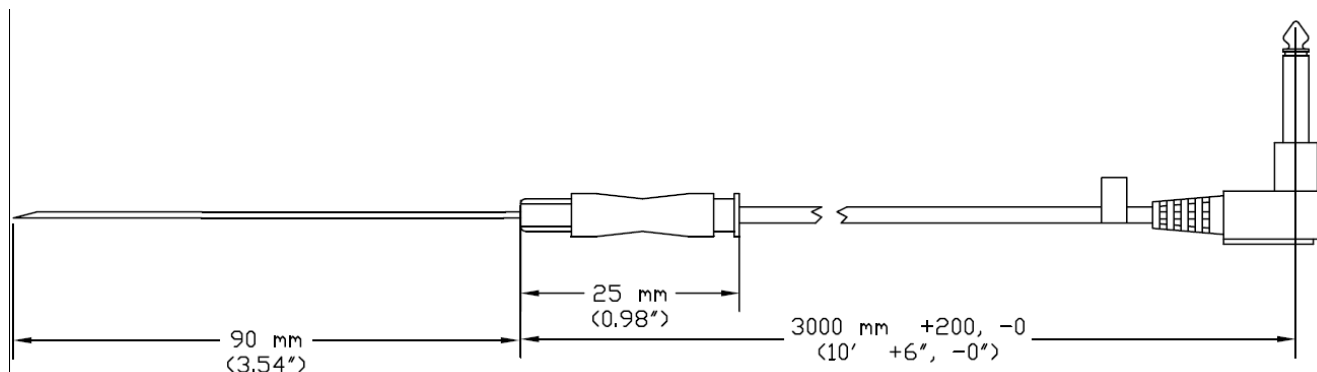
- Laboratory measurements – liquid immersion
- Research use for animal measurements

PERFORMANCE SPECS

Parameter	Units	Value
Resistance @ 25°C (including lead resistance)	Ohms	2252.4
Tolerance 0°C to 70°C (using supplied conversion chart)	°C	± 0.1
Beta Value 25/85 (using supplied conversion chart)	K	3976
Tolerance on Beta Value (using supplied conversion chart)	%	0.4
Typical response time in stirred fluid	Seconds	< 1
Liquid immersion with 15VDC applied	Ohms	> 15Meg

Model 551 Hypodermic Probe

MECHANICAL DETAILS



RESISTANCE V TEMPERATURE TABLE

Note: 400 series response curve shown is compatible with conversion chart supplied with each probe.

Temp °C	K-Ohms	Temp °C	K-Ohms	Temp °C	K-Ohms
0	7.3554	25	2.2524	50	0.8117
1	6.9894	26	2.1564	51	0.7815
2	6.6444	27	2.0644	52	0.7526
3	6.3194	28	1.9774	53	0.7249
4	6.0114	29	1.8944	54	0.6983
5	5.7194	30	1.8154	55	0.6729
6	5.4444	31	1.7394	56	0.6485
7	5.1834	32	1.6674	57	0.6252
8	4.9374	33	1.5994	58	0.6028
9	4.7034	34	1.5334	59	0.5813
10	4.4824	35	1.4714	60	0.5607
11	4.2734	36	1.4124	61	0.5409
12	4.0744	37	1.3554	62	0.5219
13	3.8864	38	1.3014	63	0.5037
14	3.7084	39	1.2494	64	0.4862
15	3.5394	40	1.2004	65	0.4694
16	3.3784	41	1.1524	66	0.4533
17	3.2264	42	1.1074	67	0.4378
18	3.0814	43	1.0644	68	0.4229
19	2.9444	44	1.0234	69	0.4086
20	2.8144	45	0.9842	70	0.3949
21	2.6904	46	0.9466		
22	2.5724	47	0.9106		
23	2.4604	48	0.8762		
24	2.3544	49	0.8432		

Model 551 Hypodermic Probe

ORDERING INFORMATION

Part Number	Description	Ω @25°C	MOQ
050551	551 PROBE,20 GA HYPODERMIC	2252.4	5

* For quantities less than Minimum Order Quantity – contact distribution

NORTH AMERICA

Measurement Specialties, Inc.
910 Turnpike Road
Shrewsbury, MA 01545
Tel: 1-508-842-0516
Fax: 1-508-842-0342

Sales email:
temperature.sales.amer@meas-spec.com

EUROPE

Measurement Specialties, Inc
Ballybrit Business Park
Galway Ireland
Tel: +353-91-753238
Fax: +353-91-770789

Sales email:
temperature.sales.emea@meas-spec.com

ASIA

Measurement Specialties (China) Ltd.
No. 26 Langshan Road
Shenzhen High-Tech Park (North)
Nanshan District, Shenzhen 51807
China
Tel: +86 (0) 755 33305088
Fax: +86 (0) 755 33305099

Sales email:
temperature.sales.asia@meas-spec.com

The information in this sheet has been carefully reviewed and is believed to be accurate; however, no responsibility is assumed for inaccuracies. Furthermore, this information does not convey to the purchaser of such devices any license under the patent rights to the manufacturer. Measurement Specialties, Inc. reserves the right to make changes without further notice to any product herein. Measurement Specialties, Inc. makes no warranty, representation or guarantee regarding the suitability of its product for any particular purpose, nor does Measurement Specialties, Inc. assume any liability arising out of the application or use of any product or circuit and specifically disclaims any and all liability, including without limitation consequential or incidental damages. Typical parameters can and do vary in different applications. All operating parameters must be validated for each customer application by customer's technical experts. Measurement Specialties, Inc. does not convey any license under its patent rights nor the rights of others.